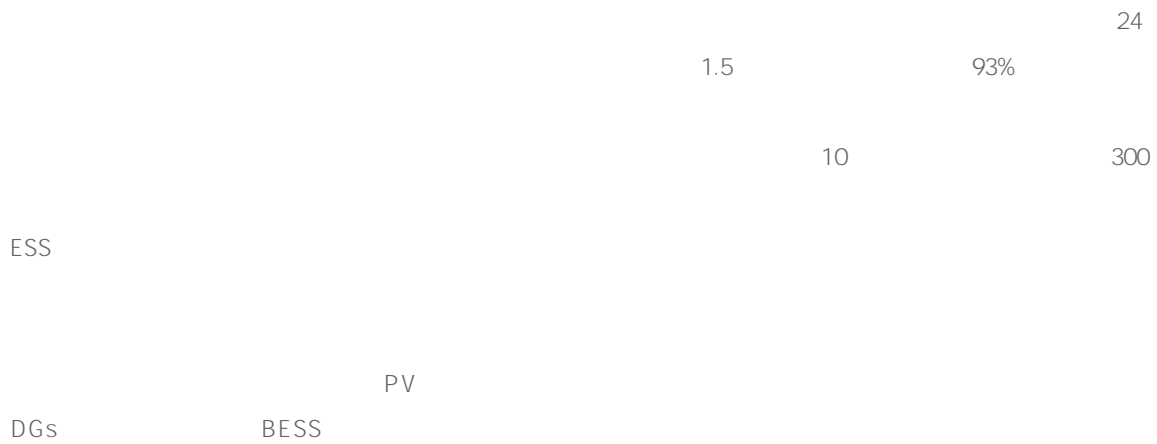
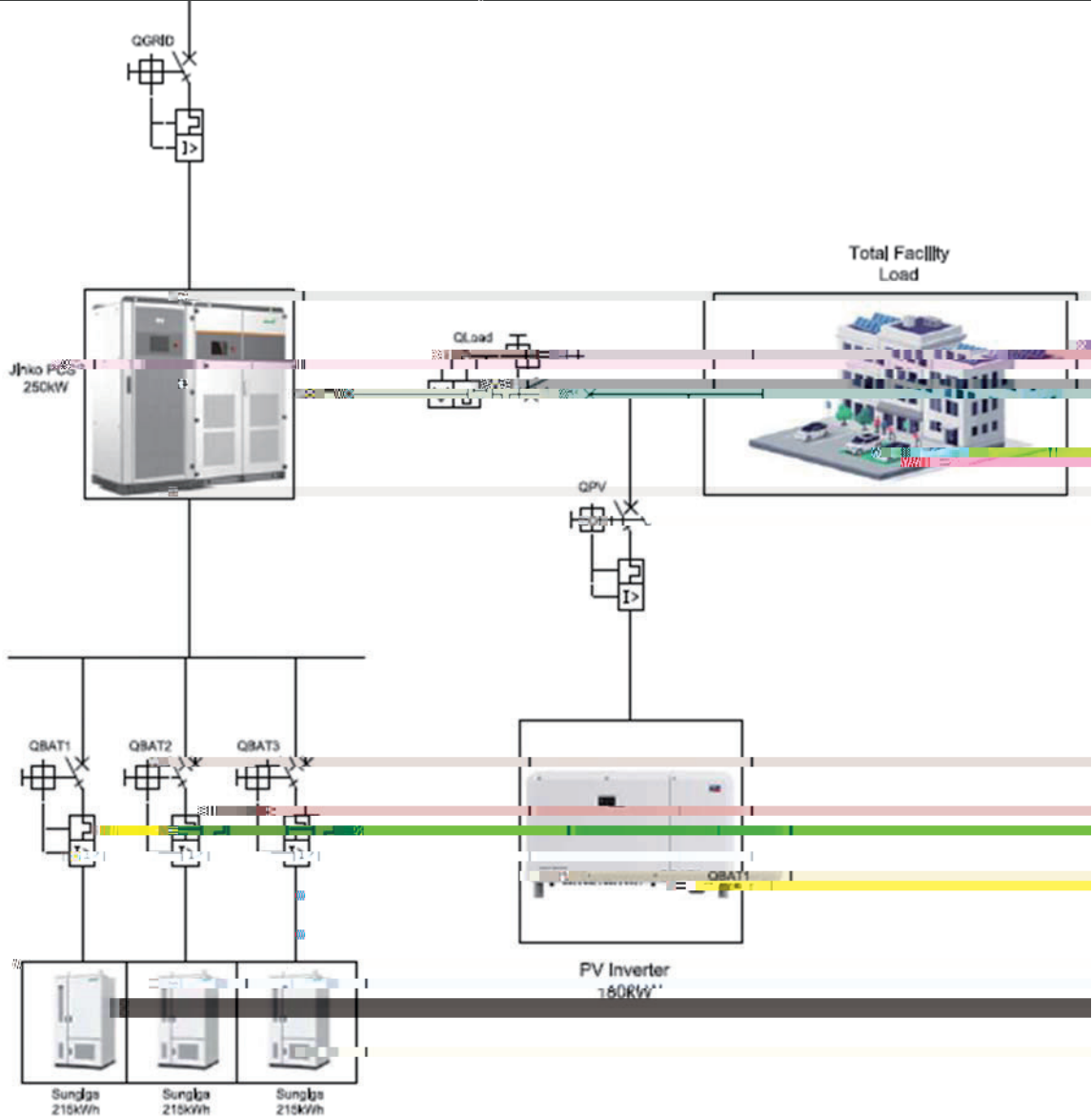
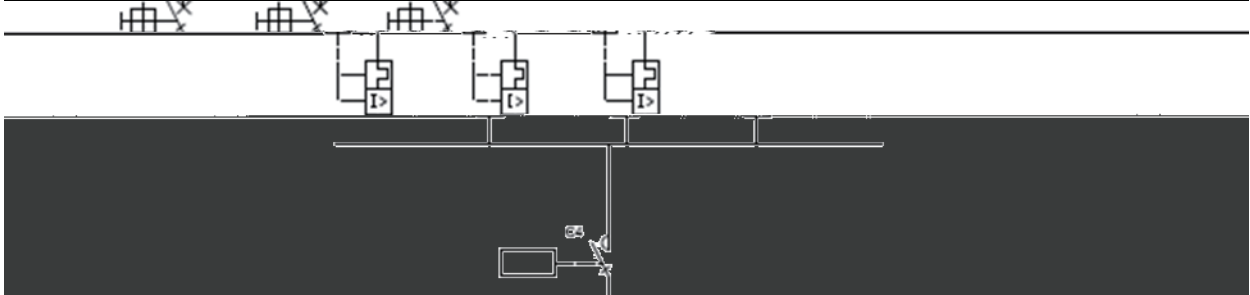
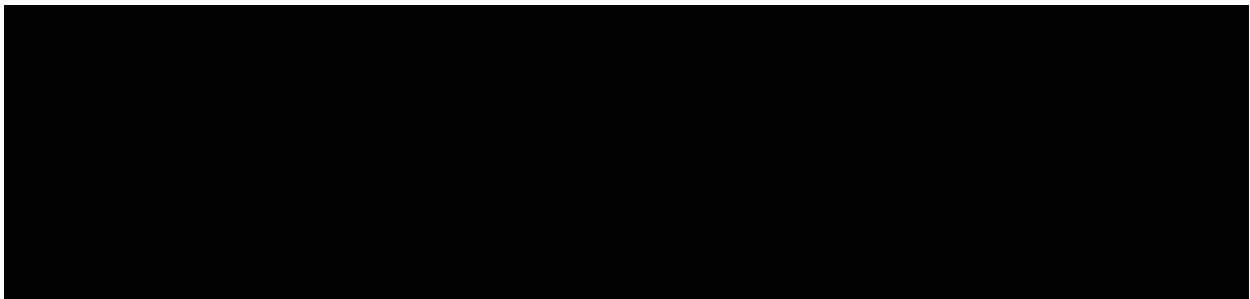




250kW/645kWh

Case Study





645kWh Jinko SunGiga

645kWh

BMS

EMS

215kWh

5 153.6V

768V

BMU

BCU

BMS

SOC

SOH

BMS

4kW

ESS

ESS

Battery Rack

PCS

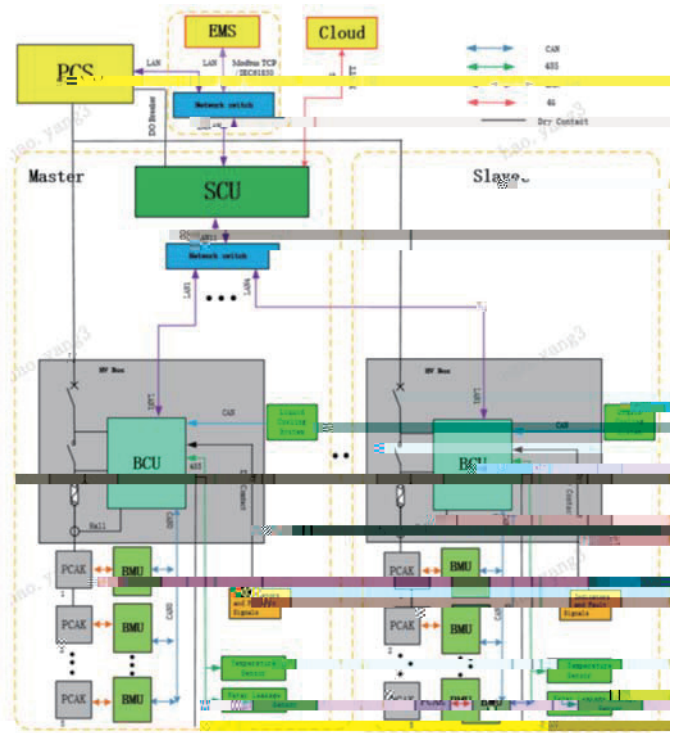
HVB
BCU

BMS

CAN

BCU

2 BMS



PCS

250kW

PCS

DG

PV Inverters

Grid Following

Grid Forming

PCS

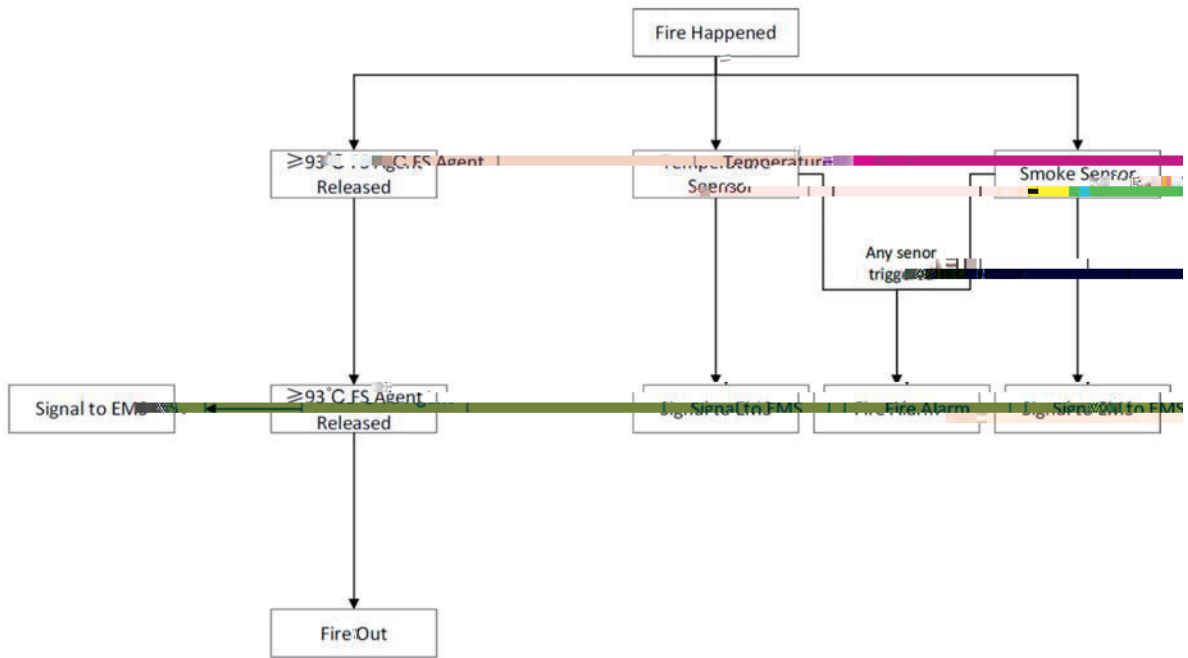
DC-AC

PQ

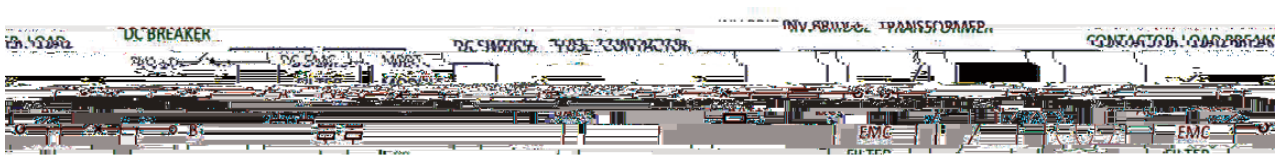
DC-AC

VF

DC-AC



3



4 PCS



Setpoint

SCU

SCU

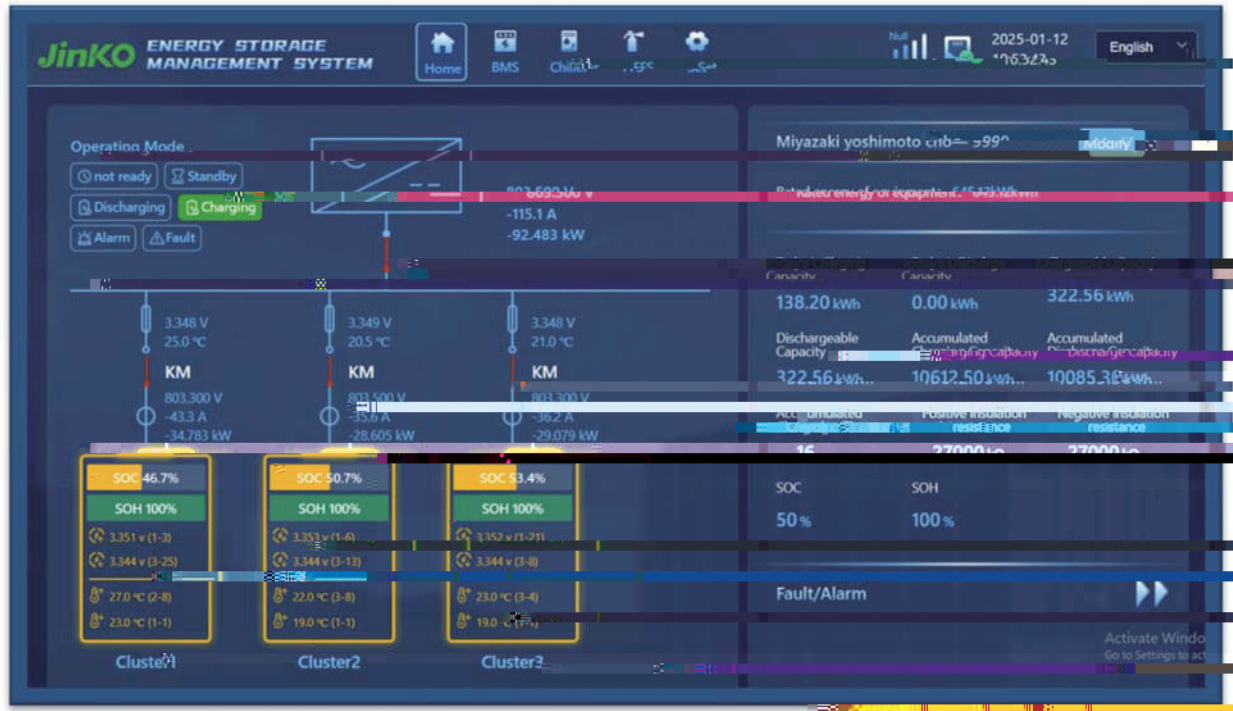
3

FSS

BMUs

BCUs

- C

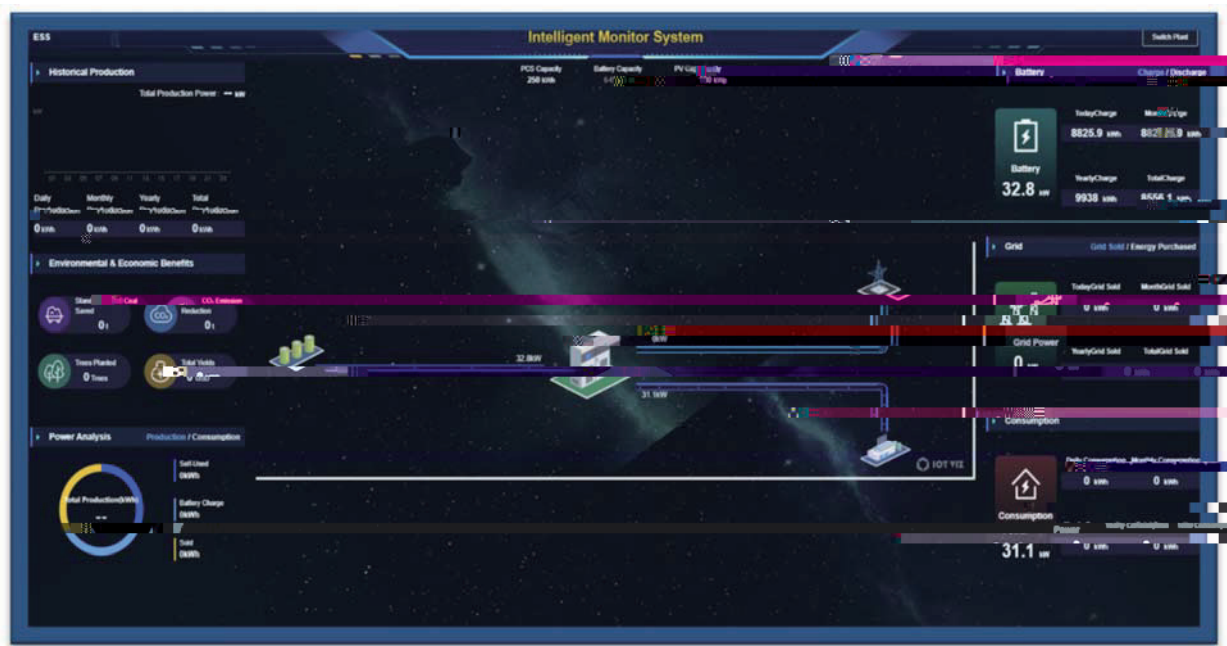


6 SCU



7

IoT



8 EMS

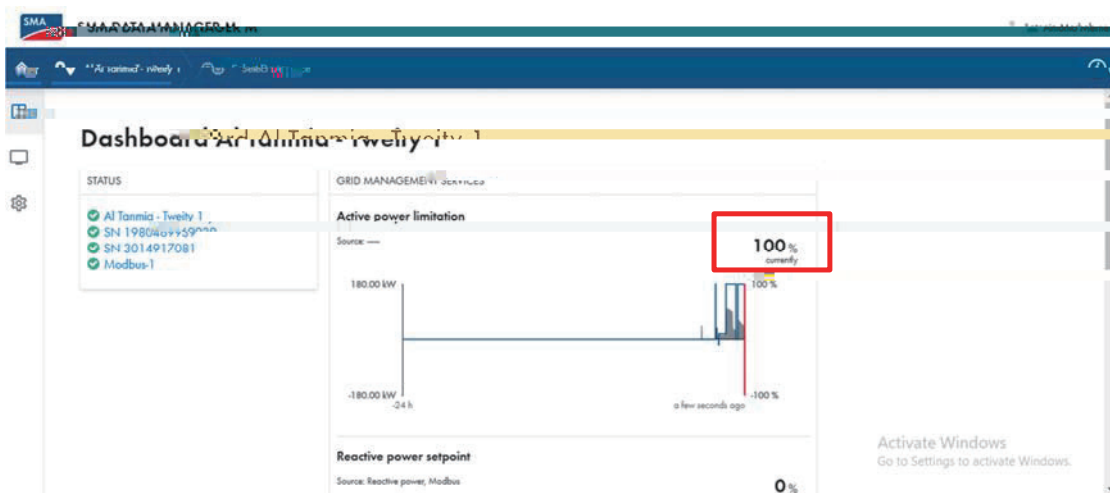
20% SOC 90

SOC

90%

100%

9



9 SMA

EMS

100%

90% SOC 95

98% SOC

P

