

Case Study

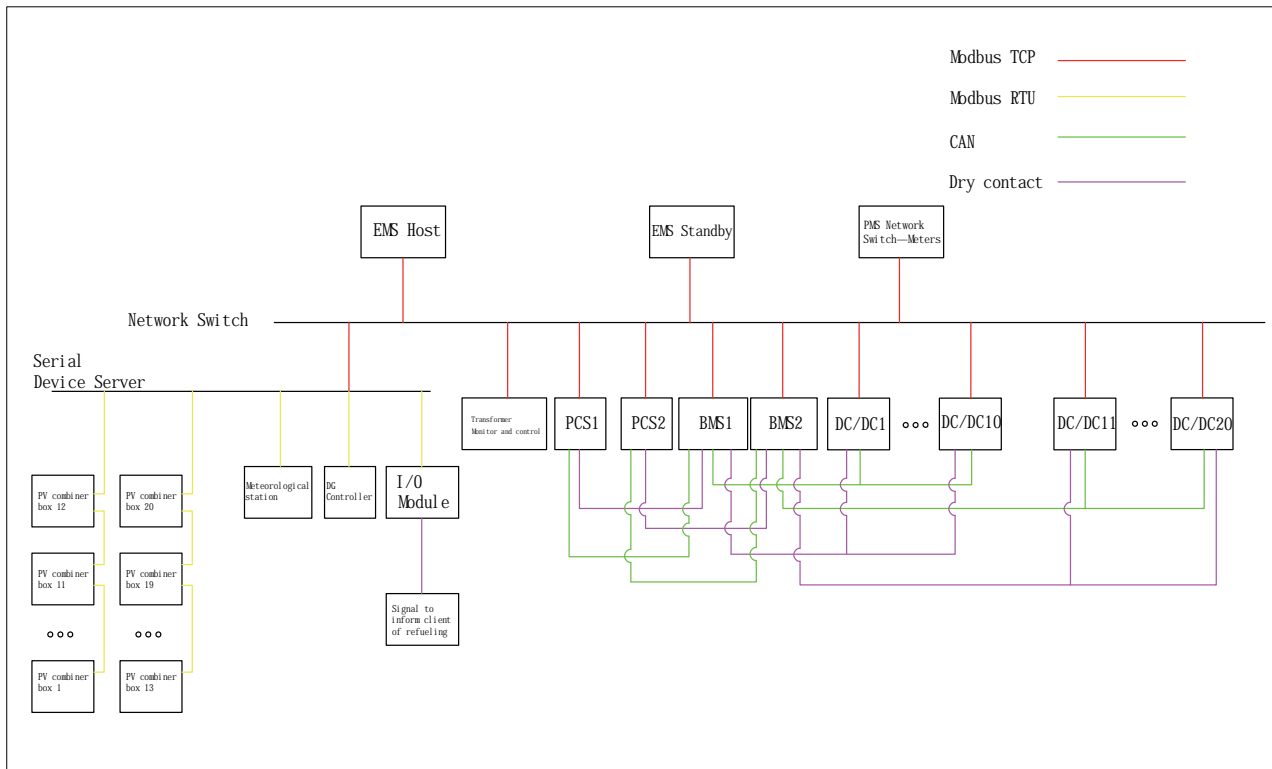
ESS Jinko

100MW

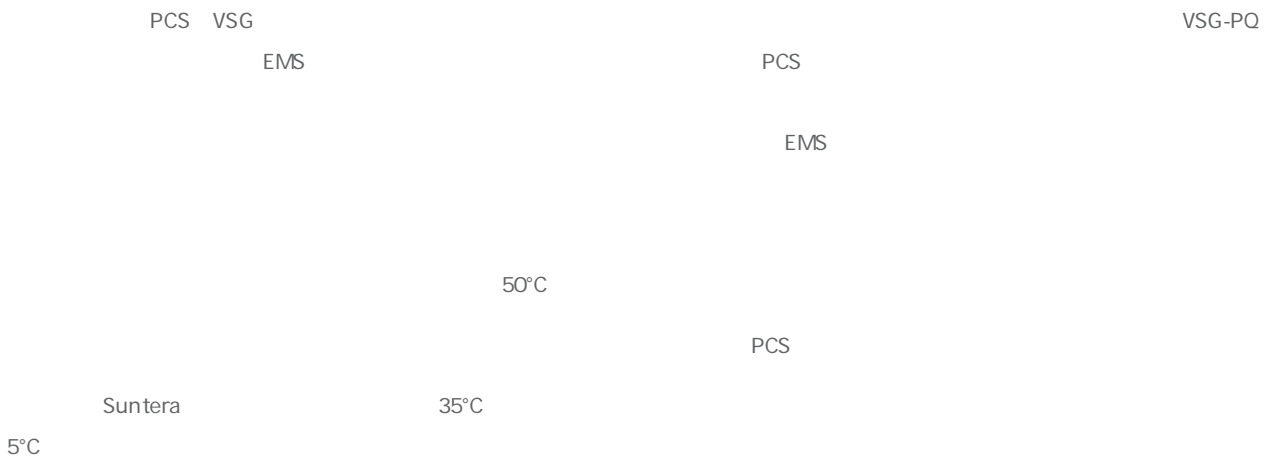
BESS 5MWp

3.45MW-6.88MWh

\$ 100M



2

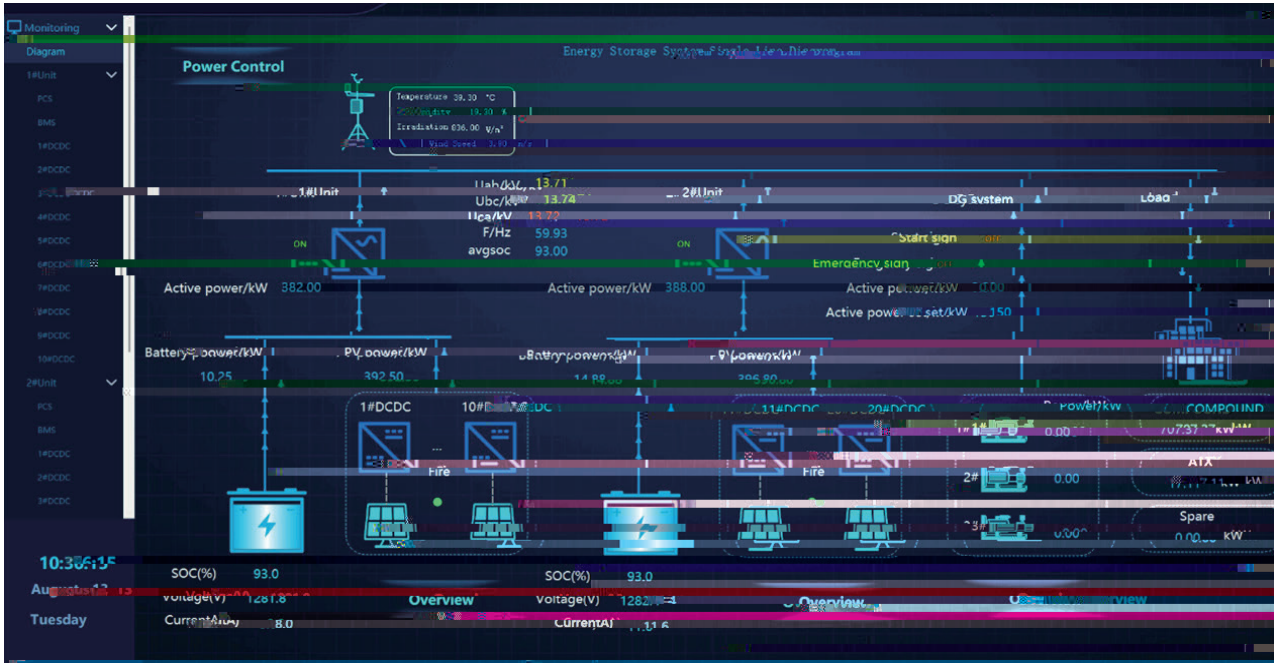


SOC 93%

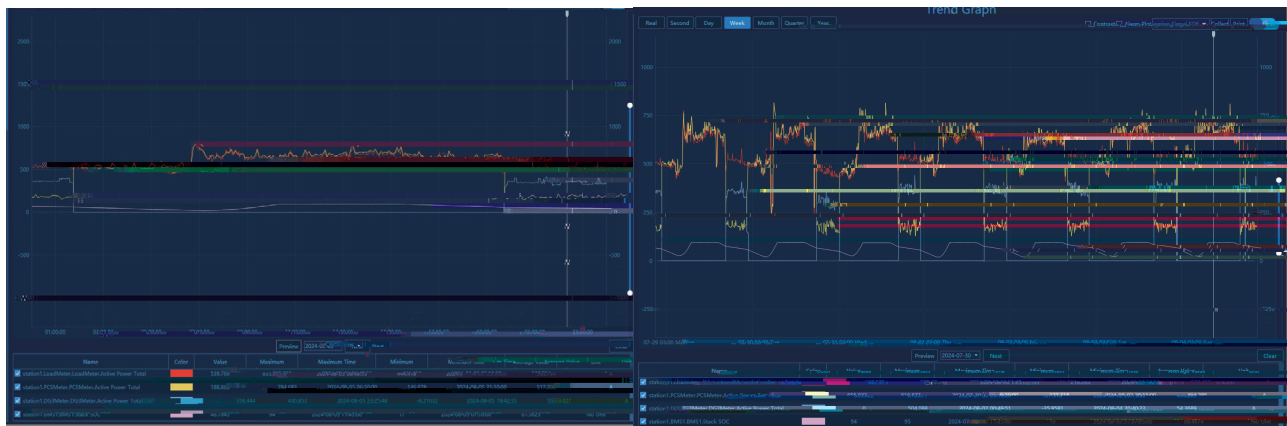
707.37kW

PCS 3

789.3kW

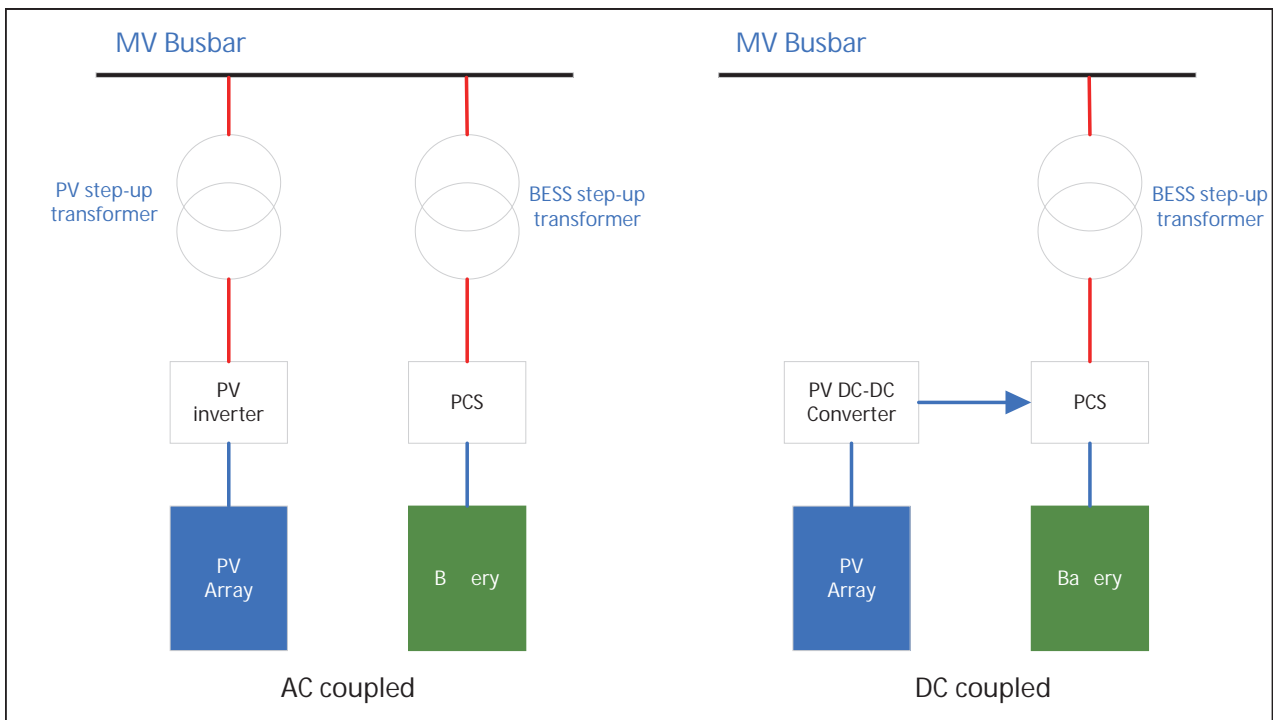


5,6. EMS



7,8. EMS

MW





10.

*



www.jinkosolar.com

1466 1

+86 400 860 8878

Case Study

3.45MW-6.88MWh

5MWp